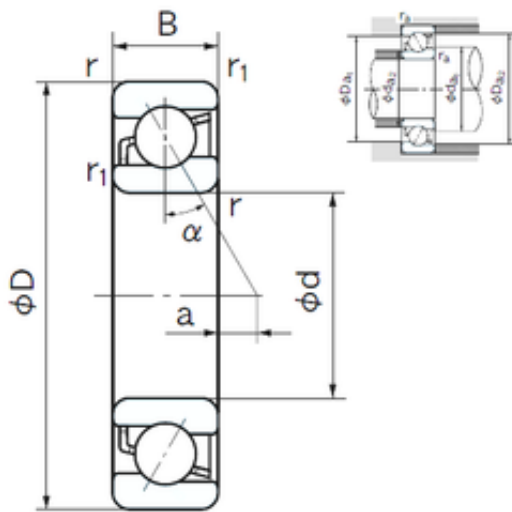




BEARING-THAILAND CO.,LTD.



160 mm x 240 mm x 38 mm NACHI 7032
angular contact ball bearings

Bearing No. 7032

7032 Bearing 2D drawings and 3D CAD models

Size	160x240x38 mm
Bore Diameter	160 mm
Outer Diameter	240 mm
Width	38 mm
d	160 mm
D	240 mm
B	38 mm
C	38 mm
Angle (°)	30 °
a	38.7 mm
r min.	2.1 mm
r1 min.	1.1 mm
da min.	169 mm
Da max.	231 mm
ra max.	2 mm
Weight	5.44 Kg
Basic dynamic load rating (C)	155 kN
Basic static load rating (C0)	176 kN
(Grease) Lubrication Speed	2100 r/min
Configuration	Single Row
Enclosure	Open
Bore Type	Cylindrical Bore
Bore Size	160 mm
Outside Diameter	240 mm
Width	38 mm



BEARING-THAILAND CO.,LTD.

Fillet Radius/Chamfer	2.1 mm
r1	1.1 mm
Dynamic Load Rating	155,000 N
Static Load Rating	176,000 N
Limiting Speed - Grease	2,100 rpm
Limiting Speed - Oil	2,800 rpm
da1 (min)	169 mm
da2 (min)	169 mm
Da1 (max)	231 mm
Da2 (max)	234 mm
ra (max)	2 mm
ra1 (max)	1 mm