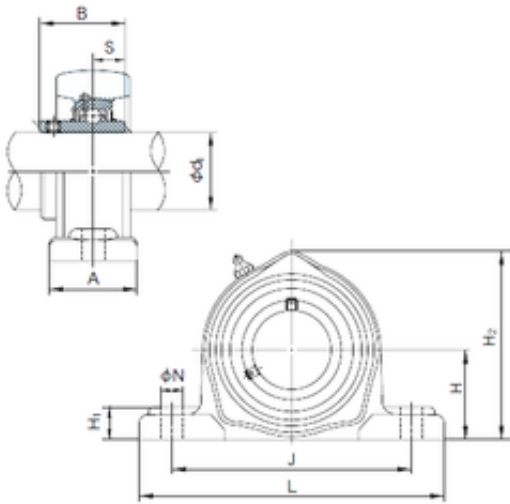




BEARING-THAILAND CO.,LTD.

NACHI UCPK212 bearing units

Bearing No. UCPK212



UCPK212 Bearing 2D drawings and 3D CAD models

Bore Diameter	60 mm
Width	65.1 mm
d	60 mm
A	65 mm
B	65.1 mm
H	69.8 mm
H1	25 mm
H2	145 mm
J	184 mm
L	233 mm
N	19 mm
S	25.4 mm
Bolt (G)	M16