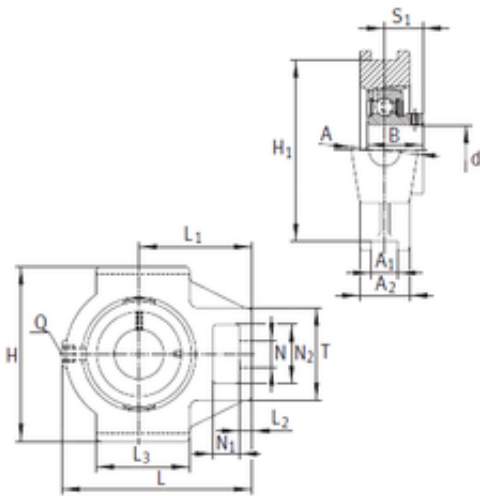




BEARING-THAILAND CO.,LTD.

INA PTUEY35 bearing units

Bearing No. PTUEY35



PTUEY35 Bearing 2D drawings and 3D CAD models

Bore Diameter	35 mm
d	35 mm
S1	25,5 mm
Thread (Q)	Rp1/8
L2	13 mm
L3	63 mm
A	40 mm
A1	12 mm
B	35 mm
H	102 mm
H1	89 mm
L	131,5 mm
L1	80 mm
N	22 mm
N1	18 mm
T	64 mm
A2	30 mm
N2	36,5 mm
Weight	1,64 Kg
Basic dynamic load rating (C)	25,5 kN
Category	Take Up Unit Bearings
Inventory	0.0
Manufacturer Name	SCHAEFFLER GROUP
Minimum Buy Quantity	N/A
Weight / Kilogram	1.964
EAN	4012802808872



BEARING-THAILAND CO.,LTD.

Product Group	M06110
Component Description	Take Up Bearing Only
Rolling Element	Ball Bearing
Housing Style	Unit Only
Mounting Method	Set Screw
Compatible Take Up Frame	Not Specified
Adjustment Travel Length	0
Insert Part Number	GAY35NPPB
Housing Material	Cast Iron
Other Features	Single Row Spherical Two Lip Contact Seal With Grub Screw
Inch - Metric	Metric
Long Description	Take Up Bearing Only; 35MM Bore; 12MM Slot Width; 89MM Slot to Slot Distance; Ball Bearing; Unit Only; Set Screw Mount; GAY35NPPB Insert Part; Cast Iron Housing Material
Category	Take Up Units
UNSPSC	31171533
Harmonized Tariff Code	8483.20.40.40
Noun	Bearing
Keyword String	Take Up
Manufacturer URL	http://www.ina.com
Weight / LBS	3.616
Slot to Slot Distance	3.504 Inch 89 Millimeter
Bore	1.378 Inch 35 Millimeter
Slot Width	0.472 Inch 12 Millimeter