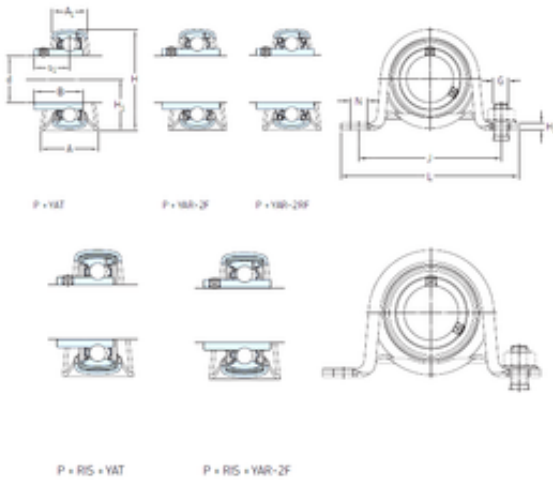




BEARING-THAILAND CO.,LTD.



SKF P 85 R-40 RM bearing units

Bearing No. P 85 R-40 RM

Bore Diameter	40 mm
d	40 mm
s1	25,3 mm
A	45 mm
A1	31 mm
B	36 mm
H	92 mm
H1	46,4 mm
H2	6 mm
J	128 mm
L	156 mm
N	14 mm
Thread (G)	12
Weight	0,93 Kg
Basic dynamic load rating (C)	30,7 kN
Basic static load rating (C0)	19 kN
Housing material	Pressed steel
A ₁	31 mm
B ₄	7 mm
H ₁	46.5 mm
H ₂	6 mm
s ₁	25.3 mm
Basic dynamic load rating C	30.7 kN
Basic static load rating C ₀	19 kN
Fatigue load limit P _u	0.8 kN
Permissible radial housing	4.2 kN

P 85 R-40 RM Bearing 2D drawings and 3D CAD models



BEARING-THAILAND CO.,LTD.

load max.	
Limiting speed	4800 r/min
Mass bearing unit	0.88 kg
Thread grub screw G ₂	M6x0.75
Hexagonal key size for grub screw N	3 mm
Recommended tightening torque for grub screw	4 N · m
Recommended diameter for attachment bolts, mm G	12 mm
Recommended diameter for attachment bolts, inch G	0.5 in