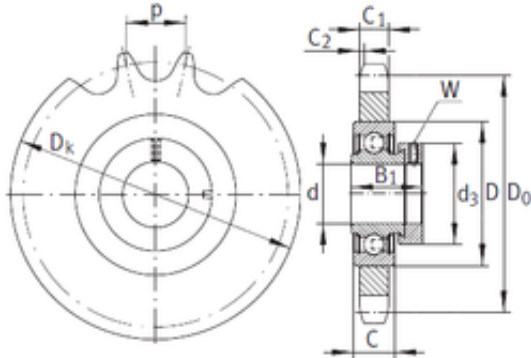




BEARING-THAILAND CO.,LTD.

INA KSR20-B0-12-10-15-16 bearing units



Bearing No. KSR20-B0-12-10-15-16

Bore Diameter	20 mm
d	20 mm
Number of teeth	15
Do	91,6 mm
Dk	99,2 mm
d3	33 mm
B1	31 mm
C	14 mm
C1	10,5 mm
D	47 mm
W	3 mm
C2	1,5 mm
Weight	0,47 Kg
1	DIN 8187

KSR20-B0-12-10-15-16 Bearing 2D drawings and 3D CAD models