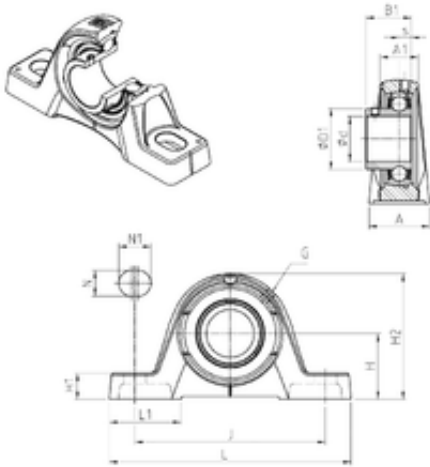




BEARING-THAILAND CO.,LTD.

SNR USPE202 bearing units

Bearing No. USPE202



USPE202 Bearing 2D drawings and 3D CAD models

Bore Diameter	15 mm
d	15 mm
s	6 mm
A	30 mm
A1	18 mm
B1	22 mm
D1	24,6 mm
H	30,2 mm
H1	10 mm
H2	57 mm
J	95 mm
L	125 mm
L1	38 mm
N	11 mm
N1	19 mm
Thread (G)	M6x1
Weight	0,4 Kg
Basic dynamic load rating (C)	9,55 kN