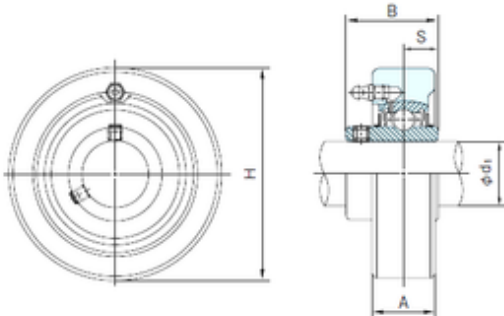




BEARING-THAILAND CO.,LTD.

NACHI UCC318 bearing units



Bearing No. UCC318

Bore Diameter	90 mm
Width	96 mm
d	90 mm
A	66 mm
B	96 mm
H	225 mm
S	40 mm

UCC318 Bearing 2D drawings and 3D CAD models