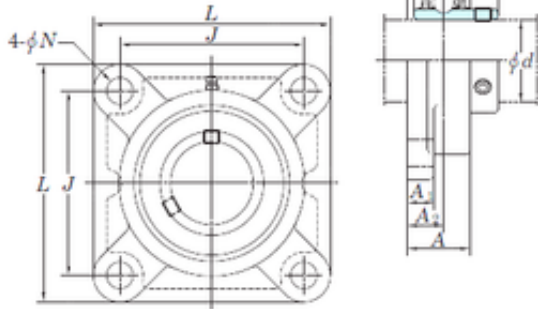




# BEARING-THAILAND CO.,LTD.

## KOYO UCF217-52 bearing units

Bearing No. UCF217-52



UCF217-52 Bearing 2D drawings and 3D CAD models

Bore Diameter	82,55 mm
d	82,55 mm
A0	87,6 mm
A	63 mm
A1	24 mm
B	85,7 mm
J	175 mm
L	220 mm
N	23 mm
S	34,1 mm
Bolt (G)	M20
A2	36 mm
Weight	8,9 Kg
Basic dynamic load rating (C)	84 kN
Basic static load rating (C0)	61,9 kN