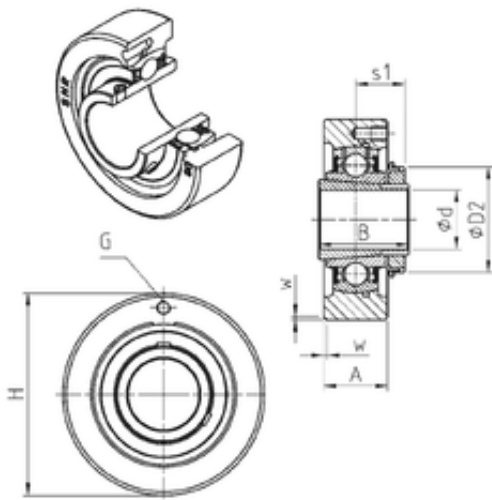




BEARING-THAILAND CO.,LTD.

SNR UKC208H bearing units

Bearing No. UKC208H



UKC208H Bearing 2D drawings and 3D CAD models

Bore Diameter	35 mm
Width	46 mm
d	35 mm
s1	24,5 mm
A	30 mm
B	46 mm
D2	58 mm
H	100 mm
W	2 mm
Thread (G)	M6x1
Weight	1,4 Kg
Basic dynamic load rating (C)	29,6 kN
A3	2 mm
A5	24.5 mm
B1	46 mm
d1	58 mm
G	M6x1
C	29.6 kN
C0	18.2 kN
T min.	-20 ° C
T max.	100 ° C
Adapter sleeve reference	H2308
Designation of housing	C208-
Designation of bearing	UK208G2H