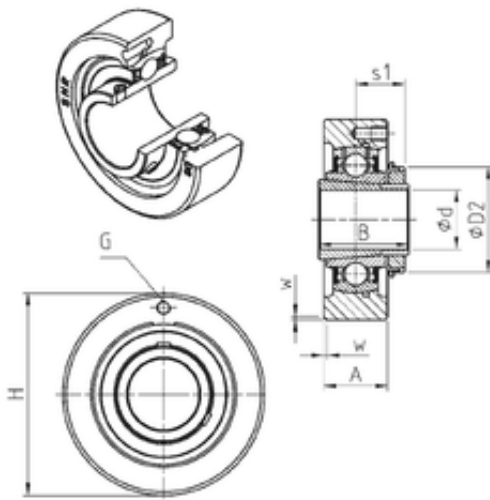




BEARING-THAILAND CO.,LTD.

SNR UKC319H bearing units

Bearing No. UKC319H



UKC319H Bearing 2D drawings and 3D CAD models

Bore Diameter	85 mm
Width	90 mm
d	85 mm
s1	52 mm
A	72 mm
B	90 mm
D2	125 mm
H	240 mm
W	4 mm
Thread (G)	M10x1
Weight	16,2 Kg
Basic dynamic load rating (C)	156 kN
A3	4 mm
A5	52 mm
B1	90 mm
d1	125 mm
G	M10x1
C	156 kN
C0	122 kN
T min.	-20 ° C
T max.	100 ° C
Adapter sleeve reference	H2319
Designation of housing	C319-
Designation of bearing	UK319G2H