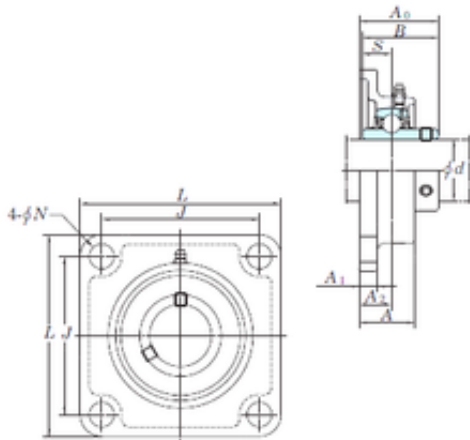




BEARING-THAILAND CO.,LTD.

KOYO UCSF206H1S6 bearing units

Bearing No. UCSF206H1S6



UCSF206H1S6 Bearing 2D drawings and 3D CAD models

Bore Diameter	30 mm
d	30 mm
A0	40,2 mm
A	31 mm
A1	10 mm
B	38,1 mm
J	83 mm
L	108 mm
N	12 mm
S	15,9 mm
Bolt (G)	M10
A2	18 mm
Weight	1,1 Kg
Basic dynamic load rating (C)	16,5 kN
Basic static load rating (C0)	9,05 kN