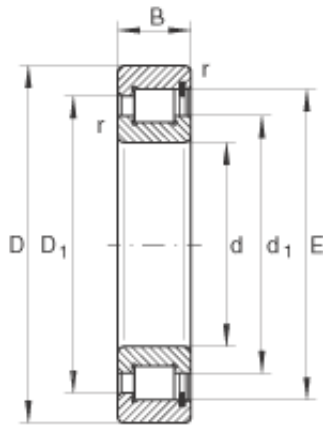




BEARING-THAILAND CO.,LTD.

240 mm x 300 mm x 28 mm INA SL181848-E
cylindrical roller bearings



Bearing No. SL181848-E

SL181848-E Bearing 2D drawings and 3D CAD models

Size	240x300x28 mm
Bore Diameter	240 mm
Outer Diameter	300 mm
Width	28 mm
d	240 mm
D	300 mm
B	28 mm
D ₁	281 mm
d ₁	260,5 mm
E	287,5 mm
r _{min}	2 mm
s	2 mm / Axial displacement
m	4,29 kg / Weight
C _r	265000 N / Dynamic load rating (radial)
C _{0r}	490000 N / Static load rating (radial)
C _{ur}	54000 N / Fatigue limit load, radial
n _G	1160 1/min / Limiting speed
Category	Cylindrical Roller Bearings
Inventory	0.0
Manufacturer Name	SCHAEFFLER GROUP
Minimum Buy Quantity	N/A
Weight / Kilogram	4.982
EAN	4012802275803



BEARING-THAILAND CO.,LTD.

Product Group	B04144
Bore Profile	Straight
Cage Material	None
Precision Class	RBEC 1 ISO P0
Number of Rows of Rollers	Single Row
Separable	No
Rolling Element	Cylindrical Roller Bearing
Profile	Complete with Outer and Inner Ring
Snap Ring	No
Internal Clearance	C0-Medium
Retainer	No
Relubricatable	Yes
Inch - Metric	Metric
Other Features	Full Complement High Capacity 2 Rib Inner Ring 1 Rib Outer Ring with Retaining Ring Operating Temperature Up to 120 Deg
Long Description	240MM Bore; Straight Bore Profile; 300MM Outside Diameter; 28MM Width; RBEC 1 ISO P0; Single Row; Not Separable; No Snap Ring; Relubricatable; C0-Medium Internal Clearance; No Retainer
Category	Cylindrical Roller Bearing
UNSPSC	31171547
Harmonized Tariff Code	8482.50.00.00
Noun	Bearing
Manufacturer URL	http://www.ina.com
Manufacturer Item Number	SL181848E
Weight / LBS	10.982
Outside Diameter	11.811 Inch 300 Millimeter
Bore	9.449 Inch 240 Millimeter



BEARING-THAILAND CO.,LTD.

Width	1.102 Inch 28 Millimeter
-------	----------------------------