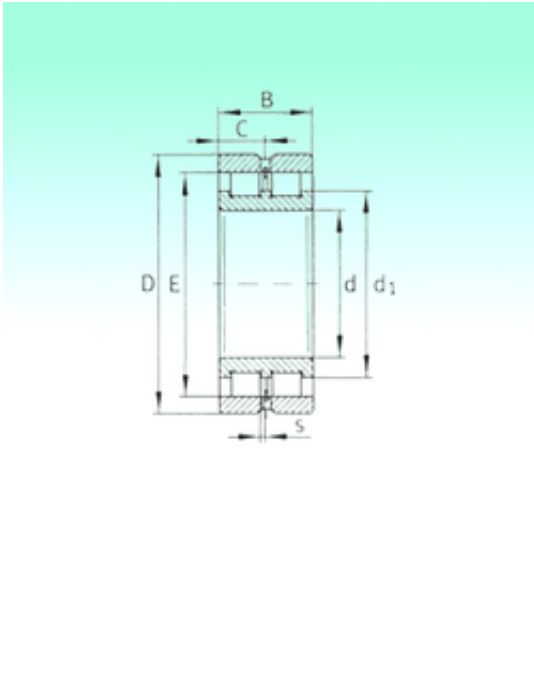




BEARING-THAILAND CO.,LTD.



SL024922 Bearing 2D drawings and 3D CAD models

110 mm x 150 mm x 40 mm NBS SL024922
cylindrical roller bearings

Bearing No. SL024922

Size	110x138.2x40 mm
Bore Diameter	110 mm
Outer Diameter	138,2 mm
Width	40 mm
d	110 mm
D	150 mm
E	138,2 mm
B	40 mm
C	40 mm
d1	125 mm
C	20 mm
S	2 mm
Weight	2,1 Kg
Basic dynamic load rating (C)	204 kN
Basic static load rating (C0)	410 kN