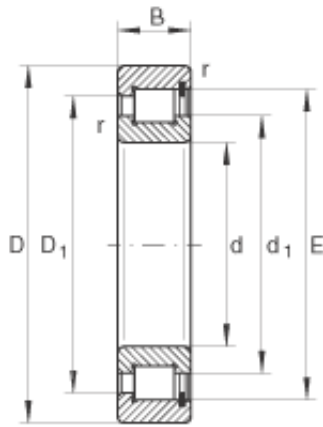




BEARING-THAILAND CO.,LTD.



1000 mm x 1220 mm x 100 mm INA
SL1818/1000-E-TB cylindrical roller bearings

Bearing No. SL1818/1000-E-TB

Size	1000x1220x100 mm
Bore Diameter	1000 mm
Outer Diameter	1220 mm
Width	100 mm
d	1000 mm
D	1220 mm
B	100 mm
D ₁	1134,3 mm
d ₁	1069,5 mm
E	1159 mm
r _{min}	6 mm
s	12,5 mm / Axial displacement
m	236 kg / Weight
C _r	2900000 N / Dynamic load rating (radial)
C _{0r}	7100000 N / Static load rating (radial)
C _{ur}	520000 N / Fatigue limit load, radial
n _G	265 1/min / Limiting speed

SL1818/1000-E-TB Bearing 2D drawings and 3D CAD models