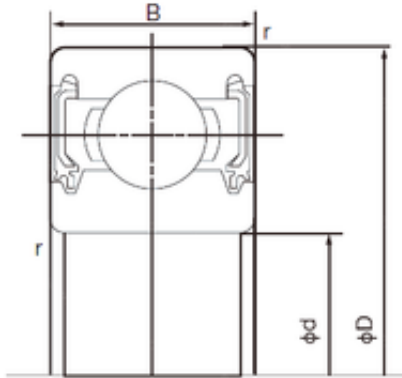




BEARING-THAILAND CO.,LTD.

60 mm x 130 mm x 31 mm NACHI 6312-2NKE
deep groove ball bearings



Bearing No. 6312-2NKE

Size	60x130x31 mm
Bore Diameter	60 mm
Outer Diameter	130 mm
Width	31 mm
d	60 mm
D	130 mm
B	31 mm
C	31 mm
r min.	2.1 mm
da min.	72 mm
Da max.	118 mm
ra max.	2.0 mm
Weight	1.70 Kg
Basic dynamic load rating (C)	82 kN
Basic static load rating (C0)	52 kN
Bore Type	Cylindrical Bore
Enclosure	Double Seal
Configuration	Single Row
Bore Size	60 mm
Outside Diameter	130 mm
Width	31 mm
Dynamic Load Rating	82,000 N
Static Load Rating	52,000 N
Limiting Speed - Grease	5,400 rpm
Factor fo	13.2

6312-2NKE Bearing 2D drawings and 3D CAD models



BEARING-THAILAND CO.,LTD.

Radial Clearance	0.008 to 0.028 mm
da (min)	72 mm
Da (max)	118 mm
ra (max)	2 mm