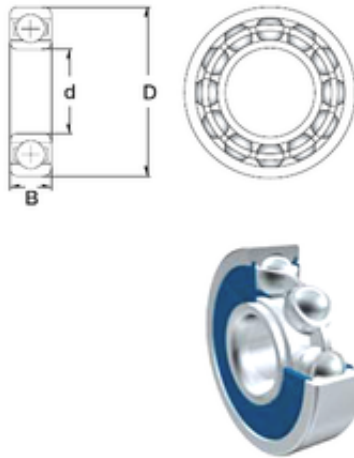




BEARING-THAILAND CO.,LTD.



9 mm x 17 mm x 5 mm ZEN 689-2RS deep groove ball bearings

Bearing No. 689-2RS

Size	9x17x5 mm
Bore Diameter	9 mm
Outer Diameter	17 mm
Width	5 mm
d	9 mm
D	17 mm
B	5 mm
C	5 mm
Basic dynamic load rating (C)	1,327 kN
Basic static load rating (C0)	0,668 kN

689-2RS Bearing 2D drawings and 3D CAD models