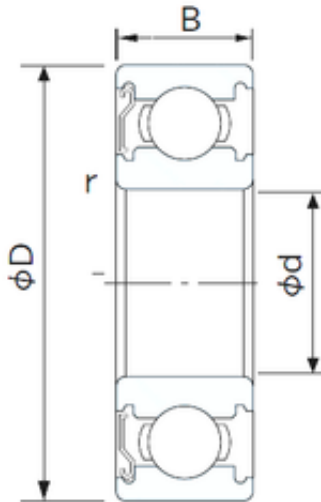




BEARING-THAILAND CO.,LTD.



60 mm x 110 mm x 22 mm NACHI 6212ZE
deep groove ball bearings

Bearing No. 6212ZE

6212ZE Bearing 2D drawings and 3D CAD models

Size	60x110x22 mm
Bore Diameter	60 mm
Outer Diameter	110 mm
Width	22 mm
d	60 mm
D	110 mm
B	22 mm
C	22 mm
r min.	1.5 mm
da min.	69 mm
Da max.	101 mm
ra max.	1.5 mm
Weight	0.783 Kg
Basic dynamic load rating (C)	52,5 kN
Basic static load rating (C0)	36 kN
(Grease) Lubrication Speed	5800 r/min
Category	Single Row Ball Bearings
Inventory	0.0
Manufacturer Name	NACHI
Minimum Buy Quantity	N/A
Weight / Kilogram	0
Product Group	B00308
Enclosure	1 Metal Shield
Precision Class	ABEC 1 ISO P0
Maximum Capacity / Filling	No



BEARING-THAILAND CO.,LTD.

Slot	
Rolling Element	Ball Bearing
Snap Ring	No
Internal Special Features	No
Cage Material	Steel
Internal Clearance	C0-Medium
Inch - Metric	Metric
Long Description	60MM Bore; 110MM Outside Diameter; 22MM Outer Race Width; 1 Metal Shield; Ball Bearing; ABEC 1 ISO P0; No Filling Slot; No Snap Ring; No Internal Special Features; C0-Medium Internal Clearance; Stee
Other Features	Deep Groove
Category	Single Row Ball Bearing
UNSPSC	31171504
Harmonized Tariff Code	8482.10.50.68
Noun	Bearing
Keyword String	Ball
Manufacturer URL	http://www.nachiamerica.com
Inner Race Width	0 Inch 0 Millimeter
Outside Diameter	4.331 Inch 110 Millimeter
Outer Race Width	0.866 Inch 22 Millimeter
Bore	2.362 Inch 60 Millimeter